

Instruction Manual

SKX-400-S Temperature Meter Communication Quick Guide

Version 1.0 (Nov, 2021)



Caution

- This meter is intended to control/monitor equipment under normal operating conditions. Failure or malfunction of the controller may lead to abnormal operating conditions, which result in personal injury or damage to the equipment or other property. Devices (limit or safety controls) or systems (alarm or supervisory) intended to warn of or protect against failure or malfunction of the controller must be incorporated into and maintained as part of the control system.
- This controller carries a 90-day warranty. This warranty is limited to the controller only.

1. Terminal wiring

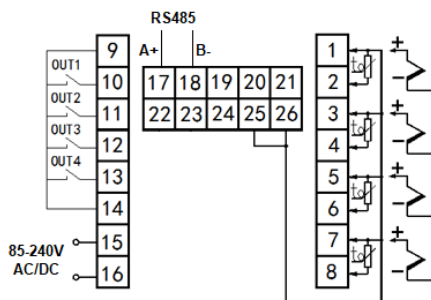
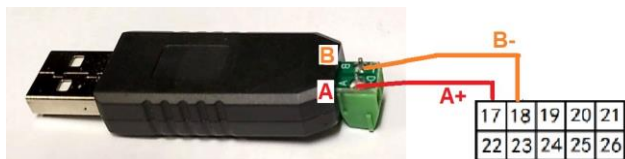
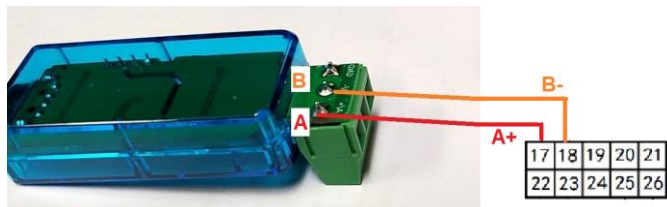


Figure 1. Wiring terminals.

2. USB adapter wiring (IMPORTANT!)



Locate the pin A and B on the back of the USB adapter.



Use the included 2-lead cable to connect terminal 17 (A) on the meter to A mark on USB adapter, and connect terminal 18 (B) on the meter to B mark on USB adapter. Recommend to use red wire to connect between two A pins, and use white wire to connect between two B pins.

Please note, USB cable on terminal 17 & 18 must be secured and isolated from the power input cable on terminal 15 & 16. Otherwise high voltage AC power from the power input cable may damage your USB adapter and/or your computer.

3. Temperature & power wiring.

Full Manual Download Link:

<https://bit.ly/skx400>

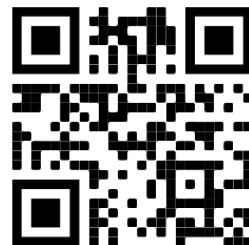
Or scan the following QR code on the right by your smartphone:



Win Software Download Link:

<https://bit.ly/AuberPIDWin>

Or scan the following QR code by your smartphone:



4. Windows Communication software notes:

- 1). Default login password is: admin
- 2). After you login, for first timer user, please click "Auto Select" on the right top of the screen. Click "Detect" button on the right, then this software will automatically scan your connected PID controller. Once finished, you will see SKX-400-S is detected. Then click "Apply" button. If your software cannot detect this PID, please confirm your computer has the correct driver for this USB adapter (see note in the software zip file) and check the continuity between your adapter and your PID by using a multimeter.
- 3). You will see the screenshot information above under "Panel View" on the left top. Click SET button and you can change all the parameters. If you want to change multiple parameters, please click "Tab View" button on the top. Then right click the number showing on the right.
- 4). Click "Start monitor" on the top and you will see temperature chart under "Graph View".
- 5). Click "Record" on the top and you can use "Report" or "Backup" / "Restore" functions later.

Auber Instruments

5755 North Point Parkway, Suite 99

Alpharetta, GA 30022

www.auberins.com

Email: info@auberins.com

Copyright © 2021 Auber Instruments Inc. All rights reserved.
No part of this manual shall be copied, reproduced, or transmitted in any way without the prior, written consent of Auber Instruments. Auber Instruments retains the exclusive rights to all information included in this document.